

MINISTER OF ENERGY VISITS THE EACOP COATING YARD

DATE: 24TH JULY 2020

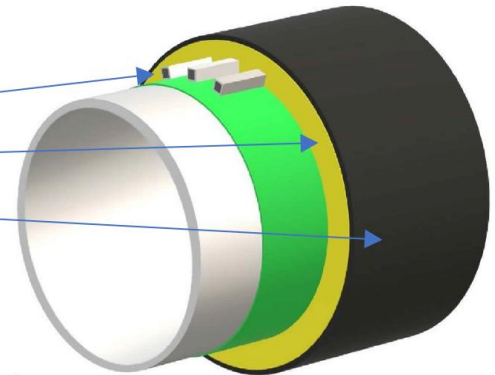
The East African Crude Oil Pipeline (EACOP) Company¹ is pleased to host a visit by the Tanzania Minister of Energy Hon. January Makamba to inspect progress of the Coating Yard facility at Sojo, Nzega Tabora.

The Coating Yard will receive steel Line Pipe imported via the port of Dar es Salaam. It will apply thermal insulation to each pipe joint. This consists of (1) the installation of aluminum raceways in which Heat Trace Cable will later be installed, (2) the application of 75mm of Polyurethane foam (PUF) for thermal performance and (3) a covering off High-density Polyethylene 5mm thick wrapping. This will protect the insulated pipe during storage, onward transportation to the right-of-way, installation and finally burial under the ground.

Land for the coating plant site was acquired in the second half of 2021. This involved the compensation of 37 Project Affected Household and the construction of 12 replacement houses. In addition to their compensation, the Households were also accompanied with transitional food support and livelihood restoration programs.

Line-pipe insulated

- Raceways
- 75mm of PU
- 5mm HDPE



The coating yard is currently under construction with earth works started in November 2021. The plant is planned to be ready to receive pipe in early 2023. It is a 40 hectares facility that will be composed of the thermal insulation application plant itself together with a pipe storage area and a 40 person camp.

The construction of the coating yard is being executed by two EACOP Contractors: MILEMBE, a Tanzanian Civil Engineering company responsible for earth works and WASCO ISOAF Tanzania, together with its partner FABEC who are erecting and outfitting the thermal insulation plant, as well as the camp and pipe storage area. These activities have given opportunities to the local labour market, to date some 22 people from the four villages around the area having been given work by Milembe and a further 21 by WASCO ISOAF.



Thermal Insulation plant – artist view

For further details or to arrange media interviews please contact: Mariagoreth Charles, Communications Lead Tanzania
Mobile : +255 699 80 71 09 Email : mariagoreth.charles@eacop.com Website : www.eacop.co.tz

¹ A private company whose shareholders are TotalEnergies, TPDC, UNOC and CNOOC.